



Husqvarna®



DMS 240

EN	Operator's manual	2-20
DE	Bedienungsanweisung	21-40
FR	Manuel d'utilisation	41-60
NL	Gebruiksaanwijzing	61-80

Contents

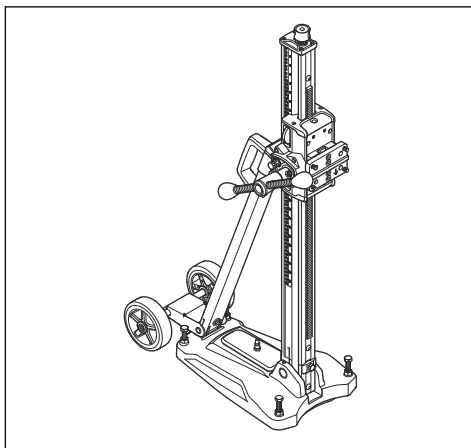
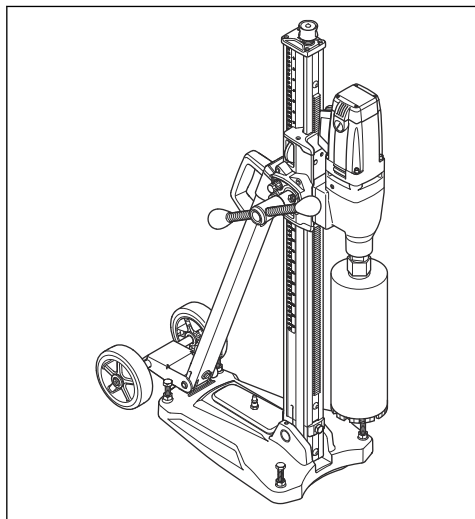
Introduction.....	2	Troubleshooting.....	16
Safety.....	5	Transportation and storage.....	16
Assembly.....	11	Technical data.....	17
Installation.....	11	Service.....	18
Operation.....	12	Declaration of Conformity.....	19
Maintenance.....	14		

Introduction

Product description

The product is an electrical drill motor for concrete brick and different stone materials. It is used with a drill stand.

Drill motor and drill stand

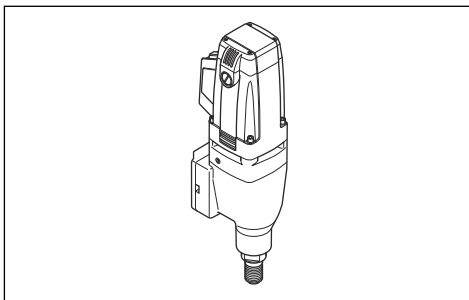


Drill motor

- The product has 2 gears.
- The product has double insulations.
- The product has an overload protection that disconnects the power if the drill bit is blocked.
- The water system decreases the temperature of the product.

Drill stand

- The drill stand is used when you make holes in walls and floors.
- The drill stand has an installation plate that makes the drill motor easy to attach.
- The bottom plate is made of aluminum.
- The wheel kit can be removed.
- The drill column can be tilted 0-60°.
- The transmission of the feed lever housing is adjustable. The higher position gives 2.5:1 and the lower, 1:1.
- The feed lever is used to adjust the level screws of the bottom plate and to set the applicable angle of the drill column.

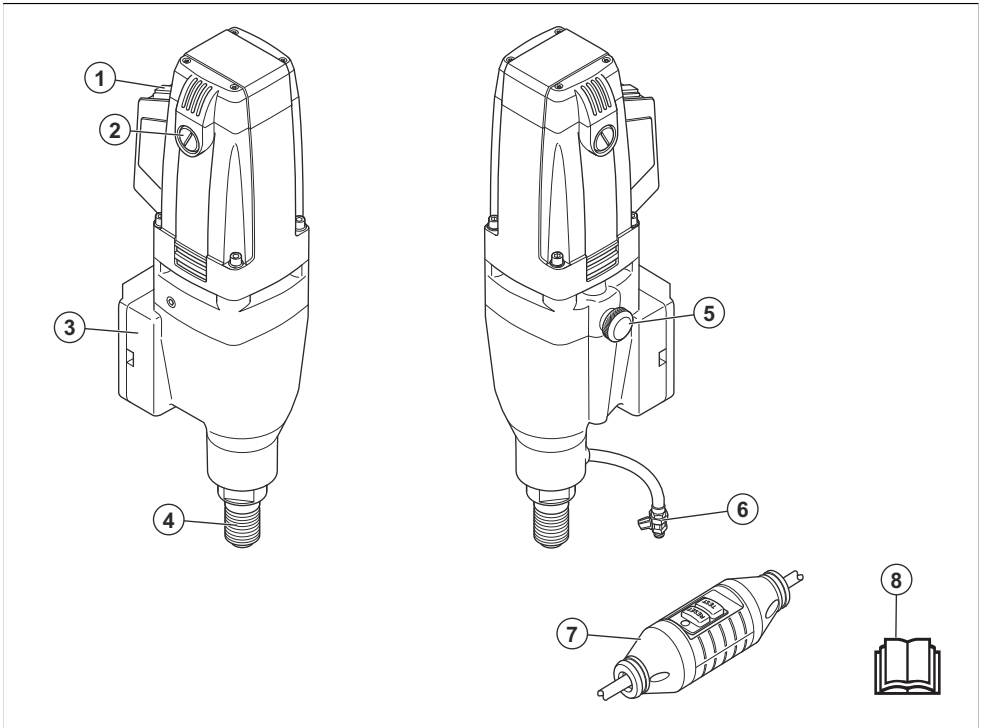


Intended use

This product is used to drill concrete, brick and different stone materials. All other use is incorrect.

The product is used in industrial operations by operators with experience.

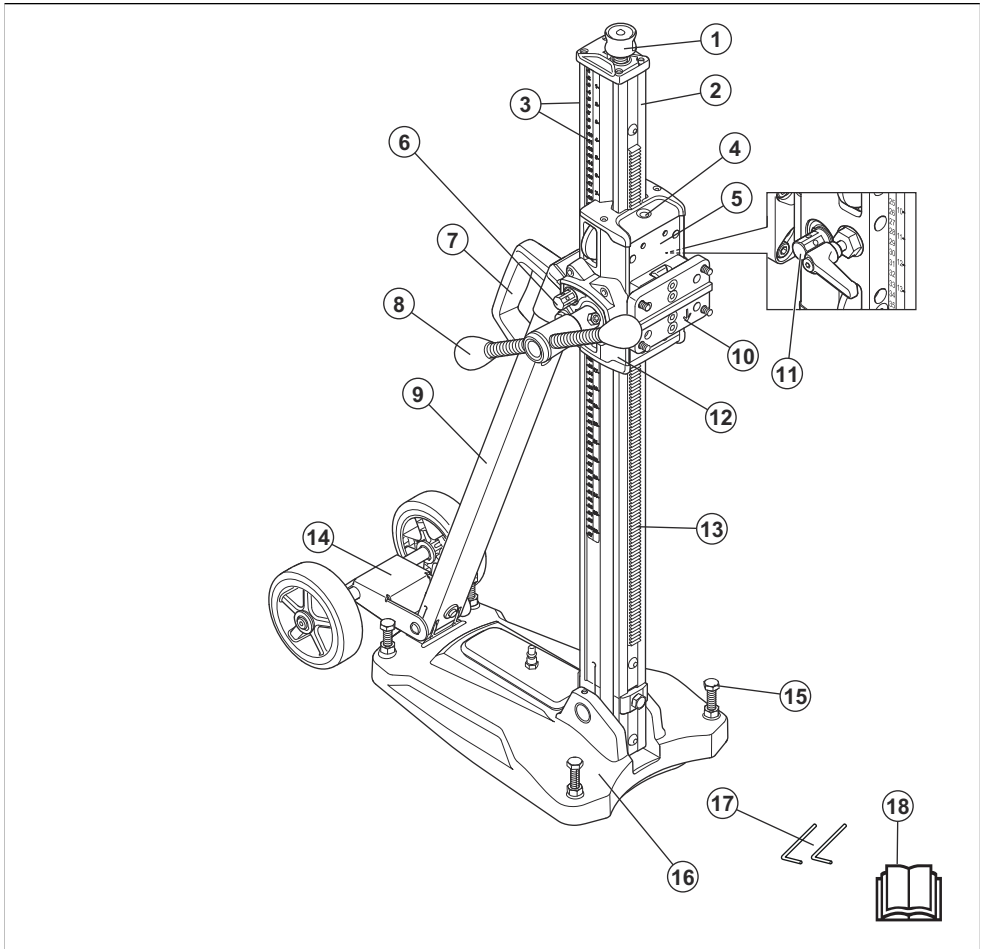
Product overview - drill motor



1. Power switch
2. Carbon brush cover
3. Installation point for the drill stand
4. Drill spindle

5. Gear selector
6. Water connector
7. Residual-current device
8. Operator's manual

Product overview - drill stand



1. Jack screw
2. Drill column
3. Scale for depth and angle
4. Angle indicator
5. Drill motor carriage
6. Screw that locks the angle of the drill column
7. Handle
8. Feed lever
9. Rear support
10. Installation plate
11. Lock for drill motor carriage
12. Gearbox
13. Gear rack
14. Wheel set that can be removed

15. Level adjustment screws
16. Bottom plate
17. Hex key, 3 mm and 4 mm
18. Operator's manual

Symbols on the product



WARNING: Be careful and use the product correctly. This product can cause serious injury or death to the operator or others.



Read the manual carefully and make sure that you understand the instructions before you use the product.



Always put on hearing protection, eye protection and breathing protection.



This product in compliance with applicable EC directives.



Protective earth.

Note: Other symbols/decals on the product refer to special certification requirements for some markets.

Product liability

As referred to in the product liability laws, we are not liable for damages that our product causes if:

- the product is incorrectly repaired.
- the product is repaired with parts that are not from the manufacturer or not approved by the manufacturer.
- the product has an accessory that is not from the manufacturer or not approved by the manufacturer.
- the product is not repaired at an approved service center or by an approved authority.

Safety

Safety definitions

Warnings, cautions and notes are used to point out specially important parts of the manual.



WARNING: Used if there is a risk of injury or death for the operator or bystanders if the instructions in the manual are not obeyed.



CAUTION: Used if there is a risk of damage to the product, other materials or the adjacent area if the instructions in the manual are not obeyed.

Note: Used to give more information that is necessary in a given situation.

Always use common sense



WARNING: Under no circumstances should you modify the original design of the machine without approval from the manufacturer. Always use original spare parts. Unauthorized modifications and/or accessories may lead to serious injury or death to the user or others.



WARNING: The use of products such as cutters, grinders, drills, that sand or form material can generate dust and vapours which may contain hazardous chemicals. Check the nature of the material you intend to process and use an appropriate breathing mask.

It is not possible to cover every conceivable situation you can face when using a drilling machine. Always exercise care and use your common sense. Avoid all situations which you consider to be beyond your capability. If you still feel uncertain about operating procedures after reading these instructions, you should consult an expert before continuing. Do not hesitate to contact your dealer or us if you have any more questions about the use of the drilling machine. We will willingly be of service and provide you with advice as well as help you to use your drilling machine both efficiently and safely.

Do not hesitate to contact your dealer if you have any more questions about the use of the machine. We will willingly be of service and provide you with advice as well as help you to use your machine both efficiently and safely.

Let your Husqvarna dealer check the drilling machine regularly and make essential adjustments and repairs.

Husqvarna has a policy of continuous product development. Husqvarna reserves the right to modify the design and appearance of products without prior notice and without further obligation introduce design modifications.

All information and all data in the operator's manual were applicable at the time the operator's manual was sent to print.

Safety instructions for operation



WARNING: Read all safety warnings, instructions, illustrations and specifications provided with this power tool. Failure to follow all instructions listed below may result in electric shock, fire and/or serious injury.

Save all warnings and instructions for future reference.



WARNING: There is always a risk of injuries when you do work with products that contain moving parts. Wear protective gloves to prevent body injuries.

- Use personal protective equipment. Always wear eye protection. Protective equipment such as a dust mask, non-skid safety shoes, hard hat or hearing protection used for appropriate conditions will reduce personal injuries.
- Keep children and bystanders away while operating a power tool. Distractions can cause you to lose control.
- Remove all unwanted materials from the work area and keep it good illuminated before you start. If the areas are not cleaned and not illuminated there are more risks of accidents.
- Do not operate power tools in explosive atmospheres, such as flammable liquids, gases or dust. Power tools can make sparks which can set fire to the dust or fumes.
- Sudden appearance of persons and animals can make you decrease in control of the product. Because of this, always concentrate and focus on the task.
- Do not use the product in bad weather, such as fog, rain, strong winds, intense cold and equivalent conditions. Dangerous conditions, such as slippery surfaces, can occur because of bad weather.
- Examine the work area before you use the product. Look out for obstacles with risk of sudden and harmful movement. Make sure that no material can become loose and fall or cause injury during operation.
- Always examine the rear side of the surface where the drill bit will go through the surface. Make the area safe and put a mark that shows the work area. Make sure that no injury can occur to persons or material damaged.
- Stay alert, watch what you are doing and use common sense when operating a power tool. Do not use a power tool while you are tired or under the influence of drugs, alcohol or medication. A moment of inattention while operating power tools may result in serious personal injury.
- Prevent unintentional starting. Ensure the switch is in the OFF-position before connecting to power source and/or battery pack, picking up or carrying the tool. Carrying power tools with your finger on the switch or energising power tools that have the switch on invites accidents
- The product can cause objects to eject, which can cause injury to the operator. Remove the adjusting key and wrench before you start the product.
- If devices are provided for the connection of dust extraction and collection facilities, ensure these are connected and correctly used. Use of dust collection can decrease dust-related hazards.
- Do not let familiarity gained from frequent use of tools allow you to become complacent and ignore tool safety principles. A careless action can cause severe injury within a fraction of a second.
- Make sure that all operators, that use the product, have read and understood the contents of the operators manual.
- Dress properly. Do not wear loose clothing or jewellery. Keep your hair and clothing away from moving parts. Loose clothes, jewellery or long hair can be caught in moving parts. .
- Dangerous accidents can occur if the concrete core stay in the drill bit when you pull out the drill motor from the floor or wall.
- Stay at a distance from the drill bit when the motor is running.
- Make sure that no pipes or electrical cables are put in the area where the hole will be made.
- Do not go away from the product when the motor is running.
- Do not overreach. Keep correct foothold and balance at all times. This enables better control of the power tool in unexpected situations.
- Always disconnect the product from the socket during longer work breaks.
- Make sure that there is always one more person close at hand when you use the product. If an accident occurs, you can receive help when necessary.
- Do not use a product with defective safety equipment.
- Do the safety checks, maintenance and service as given in this manual. Some maintenance and service measures must only be done by approved service agents. Refer to *Maintenance on page 14*
- Inspection and/or maintenance must be done with the motor stopped and the plug disconnected from the power outlet.
- Do not force the power tool. Use the correct power tool for your application. The correct power tool will do the job better and safer at the rate for which it was designed.
- Do not use the product if the ON/OFF switch can not stop and start it. If a product can not be controlled with the ON/OFF switch, it is dangerous and must be repaired.
- Do not use a product that has been changed from its factory specification.
- Disconnect the plug from the power source and/or remove the battery pack, if detachable, from the power tool before making any adjustments, changing accessories, or storing power tools. Such preventive safety measures reduce the risk of starting the power tool accidentally.
- Store idle power tools out of the reach of children and do not allow persons unfamiliar with the power tool or these instructions to operate the power tool.

Power tools are dangerous in the hands of untrained users.

- Use the power tool, accessories and tool bits etc. in accordance with these instructions, taking into account the working conditions and the work to be performed. Use of the power tool for operations different from those intended could result in a hazardous situation
- Keep handles and grasping surfaces dry, clean and free from oil and grease. Slippery handles and grasping surfaces do not allow.
- Do not overload the product. If you overload the product, it can be damaged.
- Keep tools sharp and clean in order to make the operations more safe.
- Keep all parts in good condition and make sure that all fixtures are correctly tightened.

General power tool safety warnings



WARNING: Read all safety warnings, instructions, illustrations and specifications provided with this power tool. Failure to follow all instructions listed below may result in electric shock, fire and/or serious injury.

- **Save all warnings and instructions for future reference.** The term "power tool" in the warnings refers to your mains-operated (corded) power tool or battery-operated (cordless) power tool.

Personal protective equipment



WARNING: Read the warning instructions that follow before you use the product.

- Always use correct personal protective equipment when you operate the product. The personal protective equipment does not erase the risk of injury. The personal protective equipment decreases the grade of injury if an accident occurs. Let your dealer help you select the right equipment.
- Use approved eye protection while you operate the product.
- Use heavy-duty slip-resistant boots with steel toe-caps.
- Use clothing that is close-fitting but does not limit your movements.
- Regularly do a check of the condition of the personal protective equipment.
- Use approved heavy duty protective gloves.
- Use rubber protective gloves to prevent skin irritation from wet concrete.
- Use an approved protective helmet.
- Always use approved hearing protection while you operate the product. Noise for a long period can cause noise-induced hearing loss.

- The product causes dust and fumes that is bad for your health. Use an approved respiratory protection.
- Make sure that you have a first aid kit near.
- Sparks can occur when you operate the product. Make sure that you have a fire extinguisher near.
- Do not use loose clothing, jewelry or other items that can get caught in moving parts. Put your hair up safely above shoulder level.

Work area safety

- **Keep work area clean and well lit.** Cluttered or dark areas invite accidents.
- **Do not operate power tools in explosive atmospheres, such as in the presence of flammable liquids, gases or dust.** Power tools create sparks which may ignite the dust or fumes.
- **Keep children and bystanders away while operating a power tool.** Distractions can cause you to lose control.

Electrical safety



WARNING: There is always a risk of shocks from electrical products. Do not use the product in bad weather conditions. Prevent that your body touches lightning conductors and metal objects. Always follow the instructions in the Operator's manual to prevent damage.



WARNING: Do not clean the product with water. Water can enter the electrical system or the engine and cause damage to the product or short circuit.

- Power tool plugs must match the outlet. Never modify the plug in any way. Do not use any adapter plugs with earthed (grounded) power tools. Unmodified plugs and matching outlets will reduce risk of electric shock.
- Avoid body contact with earthed or grounded surfaces, such as pipes, radiators, ranges and refrigerators. There is an increased risk of electric shock if your body is earthed or grounded.
- If operating a power tool in a damp location is unavoidable, use a residual current device (RCD) protected supply. Use of an RCD reduces the risk of electric shock.
- Only connect the product to correctly grounded outlet.
- Check that the mains voltage and fusing corresponds with that stated on the rating plate on the machine.
- Make sure that the cord and extension cable are not damaged and in good condition.
- When operating a power tool outdoors, use an extension cord suitable for outdoor use. Use of a

cord suitable for outdoor use reduces the risk of electric shock.

- Do not use the product if the cord is damaged, hand it in to an approved service center for repair. A damaged cable can cause dangerous injury and in worst case kill.
- Make sure that the extension cable is folded out to prevent overheating before you use it.
- Do not abuse the cord. Never use the cord for carrying, pulling or unplugging the power tool. Keep cord away from heat, oil, sharp edges or moving parts. Damaged or entangled cords increase the risk of electric shock.
- Do not expose power tools to rain or wet conditions. Water entering a power tool will increase the risk of electric shock.
- Make sure that the cord is behind you when you start to use the product. This is to not make damage to the cord.

Electrical safety

- **Power tool plugs must match the outlet. Never modify the plug in any way. Do not use any adapter plugs with earthed (grounded) power tools.** Unmodified plugs and matching outlets will reduce risk of electric shock.
- **Avoid body contact with earthed or grounded surfaces, such as pipes, radiators, ranges and refrigerators.** There is an increased risk of electric shock if your body is earthed or grounded.
- **Do not expose power tools to rain or wet conditions.** Water entering a power tool will increase the risk of electric shock.
- **Do not abuse the cord. Never use the cord for carrying, pulling or unplugging the power tool. Keep cord away from heat, oil, sharp edges or moving parts.** Damaged or entangled cords increase the risk of electric shock.
- **When operating a power tool outdoors, use an extension cord suitable for outdoor use.** Use of a cord suitable for outdoor use reduces the risk of electric shock.
- **If operating a power tool in a damp location is unavoidable, use a residual current device (RCD) protected supply.** Use of a RCD reduces the risk of electric shock.

Personal safety

- **Stay alert, watch what you are doing and use common sense when operating a power tool. Do not use a power tool while you are tired or under the influence of drugs, alcohol or medication.** A moment of inattention while operating power tools may result in serious personal injury.
- **Use personal protective equipment. Always wear eye protection.** Protective equipment such as dust mask, non-skid safety shoes, hard hat or hearing protection used for appropriate conditions will reduce personal injuries.

- **Prevent unintentional starting. Ensure the switch is in the off-position before connecting to power source and/or battery pack, picking up or carrying the tool.** Carrying power tools with your finger on the switch or energising power tools that have the switch on invites accidents.
- **Remove any adjusting key or wrench before turning the power tool on.** A wrench or a key left attached to a rotating part of the power tool may result in personal injury.
- **Do not overreach. Keep proper footing and balance at all times.** This enables better control of the power tool in unexpected situations.
- **Dress properly. Do not wear loose clothing or jewellery. Keep your hair and clothing away from moving parts.** Loose clothes, jewellery or long hair can be caught in moving parts.
- **If devices are provided for the connection of dust extraction and collection facilities, ensure these are connected and properly used.** Use of dust collection can reduce dust-related hazards.
- **Do not let familiarity gained from frequent use of tools allow you to become complacent and ignore tool safety principles.** A careless action can cause severe injury within a fraction of a second.

Power tool use and care

- **Do not force the power tool. Use the correct power tool for your application.** The correct power tool will do the job better and safer at the rate for which it was designed.
- **Do not use the power tool if the switch does not turn it on and off.** Any power tool that cannot be controlled with the switch is dangerous and must be repaired.
- **Disconnect the plug from the power source and/or remove the battery pack, if detachable, from the power tool before making any adjustments, changing accessories, or storing power tools.** Such preventive safety measures reduce the risk of starting the power tool accidentally.
- **Store idle power tools out of the reach of children and do not allow persons unfamiliar with the power tool or these instructions to operate the power tool.** Power tools are dangerous in the hands of untrained users.
- **Maintain power tools and accessories. Check for misalignment or binding of moving parts, breakage of parts and any other condition that may affect the power tool's operation. If damaged, have the power tool repaired before use.** Many accidents are caused by poorly maintained power tools.
- **Keep cutting tools sharp and clean.** Properly maintained cutting tools with sharp cutting edges are less likely to bind and are easier to control.
- **Use the power tool, accessories and tool bits etc. in accordance with these instructions, taking into account the working conditions and the work to be performed.** Use of the power tool for operations

different from those intended could result in a hazardous situation.

- **Keep handles and grasping surfaces dry, clean and free from oil and grease.** Slippery handles and grasping surfaces do not allow for safe handling and control of the tool in unexpected situations.

Service

- **Have your power tool serviced by a qualified repair person using only identical replacement parts.** This will ensure that the safety of the power tool is maintained.
- **Never service damaged battery packs.** Service of battery packs should only be performed by the manufacturer or authorized service providers.

Diamond drill safety warnings

- **When performing drilling that requires the use of water, route the water away from the operator's work area or use a liquid collection device.** Such precautionary measures keep the operator's work area dry and reduce the risk of electrical shock.
- **Operate power tool by insulated grasping surfaces, when performing an operation where the cutting accessory may contact hidden wiring or its own cord.** Cutting accessory contacting a "live" wire may make exposed metal parts of the power tool "live" and could give the operator an electric shock.
- **Wear hearing protection when diamond drilling.** Exposure to noise can cause hearing loss.
- **When the bit is jammed, stop applying downward pressure and turn off the tool.** Investigate and take corrective actions to eliminate the cause of the bit jamming.
- **When restarting a diamond drill in the workpiece, check that the bit rotates freely before starting.** If the bit is jammed, it may not start, may overload the tool, or may cause the diamond drill to release from the workpiece.
- **When securing the drill stand with anchors and fasteners to the workpiece, ensure that the anchoring used is capable of holding and restraining the machine during use.** If the workpiece is weak or porous, the anchor may pull out causing the drill stand to release from the workpiece.
- **When the drilling through walls or ceilings, ensure to protect persons and the work area on the other side.** The bit may extend through the hole or the core may fall out on the other side.
- **When drilling overhead, always use the liquid collection device specified in the instructions. Do not allow water to flow into the tool.** Water entering the power tool will increase the risk of electric shock.

Safety devices on the product

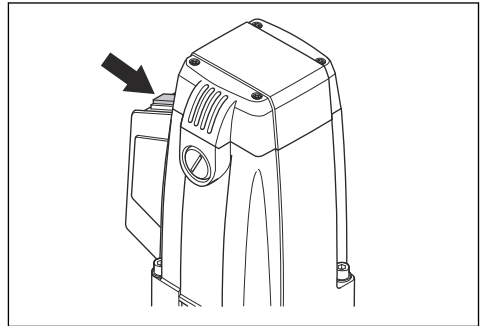


WARNING: Read the warning instructions that follow before you use the product.

- Do not use a product with defective safety devices.
- Do a check of the safety devices regularly. If the safety devices are defective, speak to your Husqvarna service agent.
- Do not make modifications to safety devices.

To do a check of the ON/OFF switch

1. Make sure that the motor starts when you put the ON/OFF switch in the ON position.



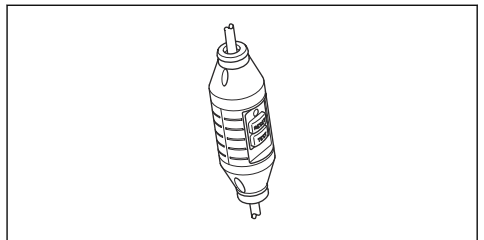
2. Make sure that the motor stops immediately when you put the switch in the OFF position.

Residual-current device

Note: Not for United Kingdom and Ireland 110V.

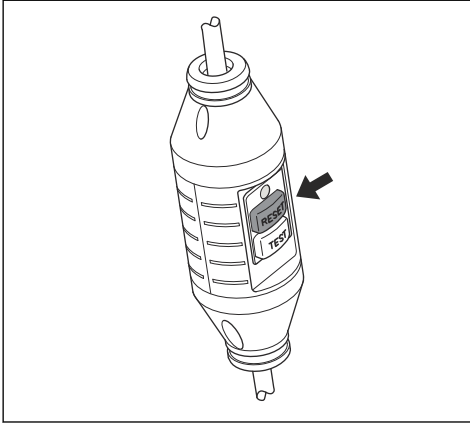
Ground fault circuit interrupters are for protection if an electrical fault occurs.

The LED shows that the ground fault circuit interrupter is on and that the product can be started. If the LED is not on, push the RESET button.

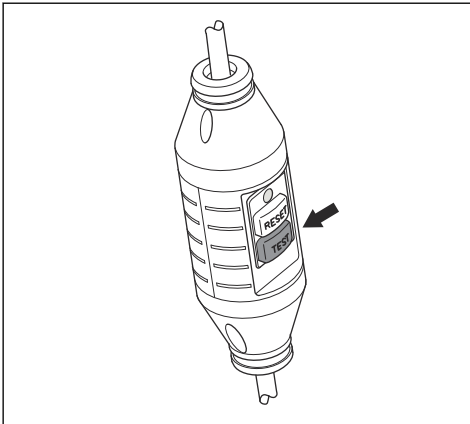


To examine the residual-current device

1. Connect the product to the mains socket. Push the RESET button and the red LED comes on.



2. Start the product.
3. Push the TEST button.



4. The ground fault circuit interrupter should trip and the product should stop immediately. Get support from your dealer if the product does not stop.
5. Reset with the RESET button.

Safety instructions for diamond tools

- When performing drilling that requires the use of water, route the water away from the operator's work area or use a liquid collection device. Such precautionary measures keep the operator's work area dry and reduce the risk of electrical shock.
- Operate power tool by insulated grasping surfaces, when performing an operation where the cutting

accessory may contact hidden wiring or its own cord. Cutting accessory contacting a "live" wire may make exposed metal parts of the power tool "live" and could give the operator an electric shock.

- Wear hearing protection when diamond drilling. Exposure to noise can cause hearing loss.
- When the bit is jammed, stop applying downward pressure and turn off the tool. Investigate and take corrective actions to eliminate the cause of the bit jamming.
- When restarting a diamond drill in the workpiece check that the bit rotates freely before starting. If the bit is jammed, it may not start, may overload the tool, or may cause the diamond drill to release from the workpiece.
- When securing the drill stand with anchors and fasteners to the workpiece, ensure that the anchoring used is capable of holding and restraining the machine during use. If the workpiece is weak or porous, the anchor may pull out causing the drill stand to release from the workpiece.
- When drilling through walls or ceilings, ensure to protect persons and the work area on the other side. The bit may extend through the hole or the core may fall out on the other side.
- Do not use this tool for overhead drilling with water supply. Water entering the power tool will increase the risk of electric shock.
- When drilling overhead, always use the liquid collection device specified in the instructions. Do not allow water to flow into the tool. Water entering the power tool will increase the risk of electric shock.

Safety instructions for maintenance



WARNING: Inspection and/or maintenance should be carried out with the motor switched off and the plug disconnected.

- Maintain power tools and accessories. Check for misalignment or binding of moving parts, breakage of parts and any other condition that may affect the power tool's operation. If damaged, have the power tool repaired before use. Many accidents are caused by poorly maintained power tools.
- Keep cutting tools sharp and clean. Properly maintained cutting tools with sharp cutting edges are less likely to bind and are easier to control.
- Have your power tool serviced by a qualified repair person using only identical replacement parts. This will ensure that the safety of the power tool is maintained.

Assembly

Introduction



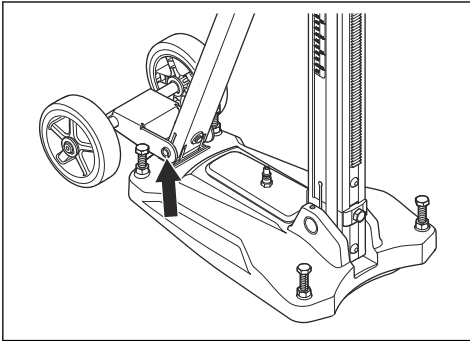
WARNING: Read and understand the safety chapter before you assemble the product.



WARNING: To prevent injury, disconnect the power cord and remove the drill bit before assembly.

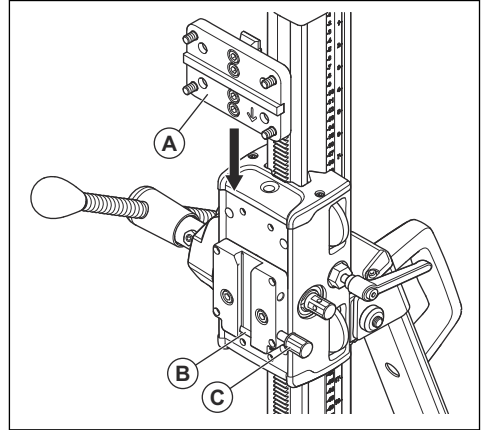
To attach the wheel kit

1. Attach the wheel kit on the rear side of the bottom plate.
2. Tighten the screws.



To attach the drill motor

1. Lock the drill motor carriage.
2. Attach the drill motor on the installation plate (A).
3. Attach the installation plate and drill motor in the track (B) on the drill motor carriage.
4. Turn the screw (C) to lock the drill motor into position.



Installation

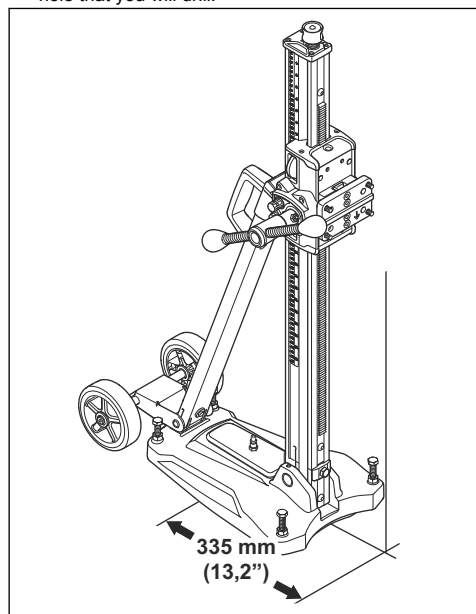
Drill stand installation in operations

There are 2 methods that can be used to attach the drill stand during a drill operation:

- With an expander bolt
- With a rod that has a thread, washer and locknut

To attach the drill stand with an expander bolt

1. Make a hole for the expander bolt. Measure a distance of 335 mm (13.2 in.) from the center of the hole that you will drill.



2. Attach the bottom plate with an expander bolt.
3. Tighten the expander bolt fully.
4. If it is necessary, adjust the bottom plate. Use the level adjustment screws to adjust the bottom plate to the surface.

To attach the drill stand with a rod that has a thread

1. Examine the surface quality of the roof or walls to see if the surface quality is sufficient to make holes in.
2. If the surface quality is sufficient, attach the bottom plate with a rod that has a thread.
3. Install the drill stand with a washer and locknut.

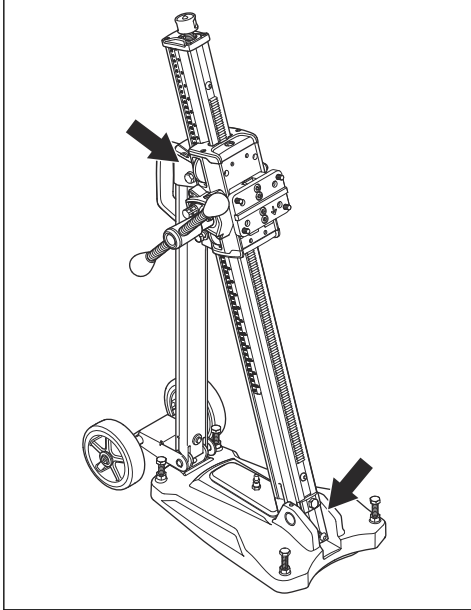
Operation

Before you operate the product

1. Read the operator's manual carefully and make sure that you understand the instructions.
2. Keep the work area clean and bright to prevent accidents to occur.
3. Do a daily start and stop check. Refer to *To do a check of the ON/OFF switch on page 9*
4. Do daily maintenance. Refer to *Daily maintenance of the drill motor on page 14*.
5. Make sure that the product is installed correctly. The drill bit and drill stand must be attached correctly. Use an applicable method to attach the product on the drill stand.
6. Use personal protective equipment. Refer to *Personal protective equipment on page 7*.
7. Make sure that the water system is not damaged and is connected to the product.
8. Make sure that the residual-current device is started. Refer to *Residual-current device on page 9* and *To examine the residual-current device on page 10*

To adjust the angle of the drill column

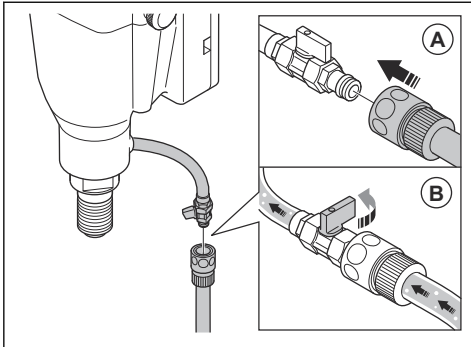
1. Loosen the screws that lock the drill column and set the applicable drill angle.



2. Use the angle indicator for approximate adjustment. If higher precision is necessary, use alternative methods to measure.
3. Tighten the lock screws of the drill column. Use the feed lever. The drill column can be tilted 0-60°.

To connect the water supply

1. Connect the water connector to the water supply (A).



2. Open the water system (B). Refer to *Technical data - drill motor on page 17* for maximum water pressure.

To start the product



CAUTION: Do not use more force than necessary. This only makes the operation slow and cause overload to the motor.



CAUTION: Use especially very small pressure where there are rebars. High pressure against rebars releases the residual-current device.

1. Start the water system.
2. Push the power switch fully.
3. Let the motor speed increase to the maximum speed before the drill bit comes in touch with the workpiece.
4. Push the drill bit on to the workpiece with the feed lever.
5. Use very small pressure initially, this is to keep the drill bit in correct position. Then continue as usual.
6. If the residual-current device releases, remove the drill bit from the workpiece before you reset.

To stop the product



WARNING: The drill bit continues to rotate for some time after the motor stops. Do not stop the drill bit with your hands. Injuries can occur.

1. Push the on/off switch to stop the product.
2. Wait until the drill bit has fully stopped.

To decrease the temperature of the motor

- Operate the product with no load for 2 minutes to decrease the temperature of the motor.

Maintenance

Introduction



WARNING: Read and understand the safety chapter before you do maintenance on the product.



WARNING: To prevent injury, disconnect the power cord before you do maintenance.

Daily maintenance of the drill motor

- Make sure that the nuts and screws are tight.
- Make sure that the on/off switch unit operates correctly.
- Clean the external surface of the drill motor.
- Make sure that the cold air openings are clean.
- Make sure that the power cord and the extension cable are in good condition and not damaged.

Daily maintenance of the drill stand

- Make sure that the nuts and screws are tight.
- Clean the external surface of the drill stand.
- Make sure that the feed lever moves without resistance.
- Make sure that the gears move easily and do not cause a noise.
- Examine the drill column, look for wear or damage.
- Make sure that the drill motor carriage moves easily and that there is no play against the drill column.

To clean the drill motor



WARNING: Do not clean the drill motor with water. Water can cause short-circuit or damage to the drill motor.

- Clean the drill bit and drill motor with compressed air.
- Make sure that there is no dirt or blockage on the cold air openings.

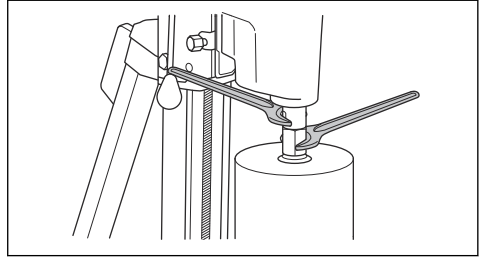
To replace the drill bit



WARNING: Pull out the plug from the mains outlet before you replace the drill bit.

1. Make sure that you have got a new drill bit, 2 wrenches and water resistant grease.

2. Use the wrenches to remove the drill bit.



3. Apply water resistant grease to the thread of the new drill bit.
4. Use the wrenches to attach the drill bit.

Clutch

If transmitted torque is lowered, the clutch must be adjusted. Let an approved service center adjust the clutch.

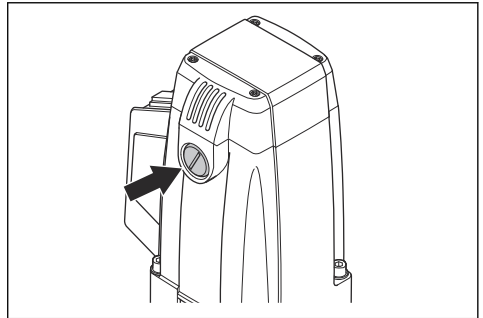
To replace the carbon brushes

Remove and examine the carbon brushes weekly if the drill motor is used daily. At longer intervals if the drill motor is not used frequently. The area of wear must be equal on the two carbon brushes and not damaged.



CAUTION: You must replace the 2 carbon brushes at the same time.

1. Remove the cover for the carbon brushes with a flat wide screwdriver.



2. Carefully remove the carbon brushes. Replace the carbon brushes if there is less than 6 mm remaining on the brushes.
3. Install new carbon brushes.
4. Attach the cover for the carbon brushes.
5. Operate the drill motor at idle speed for 10 minutes to do a run-in of the new carbon brushes.

To clean and lubricate the drill stand



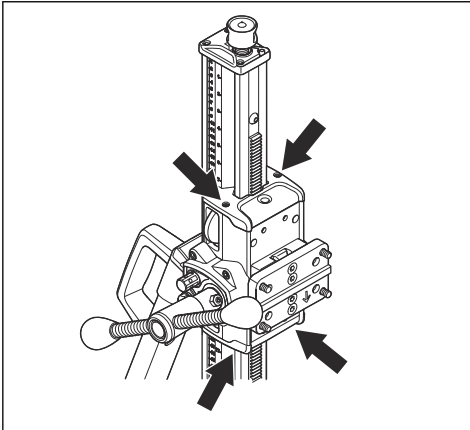
CAUTION: If you do not clean the drill stand, it can become damaged.

1. Remove the drill motor.
2. Clean the drill stand with a high pressure washer and then remove remaining water with a dry cloth.
3. Lubricate the moving parts on the drill stand. Apply grease to the contact surfaces to prevent corrosion.

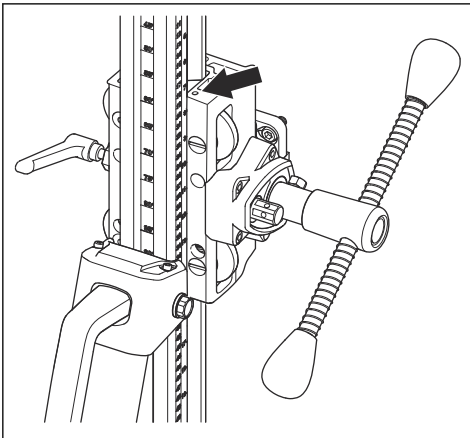
To adjust the drill motor carriage

If there is play between the drill column and the drill motor carriage, the drill motor carriage must be adjusted.

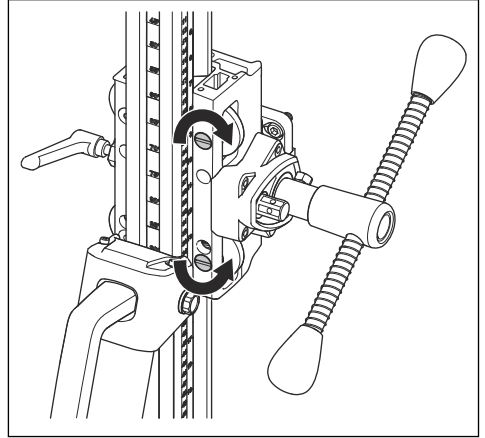
1. Remove the plastic covers from the top and bottom of the drill motor carriage.



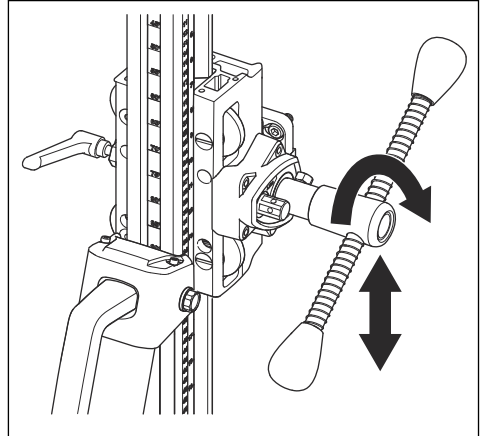
2. Loosen the set screws that hold the roller shafts.



3. Start with the top roller shaft. Use a flat screwdriver and turn clockwise to move the roller shaft nearer to the drill column.
4. Tighten the set screw to lock the roller shaft.
5. Adjust the lower roller shaft, turn the screw counterclockwise to move the roller shaft nearer to the drill column.



6. Tighten the set screw to lock the roller shaft.
7. Use the feed lever to see if the drill motor carriage moves smoothly on the drill column. If not, adjust the roller shafts again.



8. Install the plastic covers to the top and bottom of the drill motor carriage.

Troubleshooting

Troubleshooting schedule

If you cannot find a solution to your problems in this operator's manual, speak to your Husqvarna service agent.

Problem	Steps to do immediately	Possible cause	Solution
The operation is unusually slow.	Check drill bit.	Drill bit is worn out.	Replace drill bit.
		Drill bit is clogged with particles.	Clean the drill bit with a wire brush and increase water pressure.
		Diamond drill bit is rounded.	Use a softer bond drill bit. Increase the force on feed lever.
	Look for metal powder in waste water.	Drill motor cuts a rebar.	Easily move the feed lever to not release the residual-current device.
The drill bit is blocked.	Stop the drill motor.	Stone or steel bar is caught between core and drill bit.	Rotate the drill bit clockwise with a wrench to release it while you pull out the feed lever. If you rotate it counterclockwise, it can loosen the drill bit from the tube.
		Bottom plate moves during the operation.	Reset the bottom plate and tighten safely.
		Clamp has too much free play.	Adjust clearance of clamp correctly.
		The outer diameter of the bit is the same as of the tube.	Replace the drill bit.
The tube is ground down.	Stop the drill motor.	Clamp has too much free play.	Adjust clearance of clamp correctly.
		Drill bit, tube, or bottom plate are loose.	Tighten safely.
		Drill bit is damaged.	Replace the drill bit.
		Particles do not release correctly.	Increase water pressure and volume.

Transportation and storage

Transportation and storage

- Keep the product in a locked area to prevent access for children or persons that are not approved.
- Keep the product in a dry and frost free area.
- Remove the drill bit before transportation or storage of the product. This is to prevent damage to the product and the drill bits.
- Safety the product during transportation to prevent damage and accidents.

Technical data

Technical data - drill motor

	DMS 240
Motor	
Electrical motor	Single-phase
Rated voltage, V	230/100-120
Rated output, W	2400
Rated current, A	
230 V	10
100-120 V	20
Weight	
Kg/lbs	5.9/13
Speed spindle, idle, rpm	
Position 1	390
Position 2	890
Drill bit	
Max. drill diameter, mm/inches	250/10
Spindle thread, inner	G ½" outer 5/8" 11 UNC
Spindle thread, outer	1 1/4"7 UNC
Maximum water pressure, bar	8
Water connector	G 1/4"
Noise emissions	
Sound power level, measured dB (A)	106
Sound power level, guaranteed L _{WA} dB (A)	107
Sound levels	
Sound pressure level at the operators ear, dB (A)	90
Vibration levels	
Handle, m/s ²	<2

Technical data - drill stand

Height, mm/in.	1052/41.4
Width, mm/in.	266/10.5

Depth, mm/in.	545/21.5
Weight, kg/lbs	14.5/32
Travel length, mm/in.	686/27
Drill column angle	0-60°

Service

Approved service center

To find your nearest Husqvarna approved service center, go to the web site .

Declaration of Conformity

EU Declaration of Conformity

We, **Husqvarna AB**, SE-561 82 Huskvarna, Sweden, tel: +46-36-146500, declare on our sole responsibility that the product:

Description	Drill Machine
Brand	Husqvarna
Type/Model	DMS 240
Identification	Serial numbers dating from 2022 and onwards

complies fully with the following EU directives and regulations:

Directive/Regulation	Description
2006/42/EC	"relating to machinery"
2014/30/EU	"relating to electromagnetic compability"
2011/65EU	"relating to restriction of hazardous substances"

and that the following harmonized standards and/or technical specifications are applied;

EN ISO 12100:2010

EN 62841-3-6:2014

EN 55014-1:2006+A1:2009+A2:2011

EN 55014-2:1997+A1:2001+A2:2008

EN 61000-3-2:2014

EN 61000-3-3:2013

EN IEC 63000:2018

Partille, 2022-12-02



Fredrik Sandinge

Global R&D Director

Concrete Surfaces & Floors

Husqvarna AB, Construction Division

UK Declaration of Conformity

We, **Husqvarna AB**, SE-561 82 Huskvarna, Sweden, tel:
+46-36-146500, declare on our sole responsibility that
the product:

Description	Transportable diamond core drill
Brand	Husqvarna
Type/Model	DMS 240
Identification	Serial numbers dating from 2022 and onwards

complies fully with the following UK regulations:

The Supply of Machinery (Safety) Regulations 2008
Electromagnetic Compatibility Regulations 2016
The Restriction of the Use of Certain Hazardous Substances in Electrical and Electronic Equipment Regulations 2012

and that the following standards and/or technical specifications are applied;

EN ISO 12100:2010

EN 62841-3-6:2014

EN 55014-1:2006+A1:2009+A2:2011

EN 55014-2:1997+A1:2001+A2:2008

EN 61000-3-2:2014

EN 61000-3-3:2013

EN IEC 63000:2018

Partille, 2022-12-02



Fredrik Sandinge

R&D Director, Concrete Sawing & Drilling Equipment

Husqvarna AB, Construction Division

Responsible for technical documentation

**UK
CA**

UK Importer:

Husqvarna UK Ltd

Preston Road, Co. Durham

DL5 6UP