



JLG® PS SERIES TELEHANDLERS

JLG[®]
reachingout.™

JLG® Telehandlers

REACHING OUT

JLG® PS Series telehandlers are designed to offer optimal productivity, reliability and enhanced performance in heavy duty environments. Built to take on the toughest of applications, advantageous four speed transmission for extra traction at a range of speed and an industry leading variable displacement piston pump for superior performance - JLG PS Series telehandlers will give you a head start in modern day construction applications.



**ALL THE POWER AND
LIFT YOU NEED**



EQUIPMENT YOU CAN COUNT ON

We know that when you are at work, you need machines that are designed to offer optimal productivity, reliability and performance in heavy duty environments. That is why our equipment is manufactured to the highest standards in the industry and built to take on the toughest of applications.

Our attachments add to the versatility you need for whatever tasks are lined up for the day.



Our telehandlers are manufactured and designed to the highest standards of quality.



Powerful Hydraulics
With a hydraulic pressure of 250 bars, JLG PS Series telehandlers have sufficient power to lift and load.



Ultra-Strong Boom
Lift higher and further with more confidence with a boom strong enough to handle heavy application work.



Fuel-efficient Engine
JLG PS Series telehandlers feature fuel efficient, powerful engines with ultra low exhaust emissions and an open after treatment system.



Powershift Transmission
Choose from 4 forward and 3 reverse speed ranges (standard) or 6-speed (optional).



REACH NEW LEVELS OF CONTROL AND COMFORT

Your job becomes easier when you have a clear view of the job site. The engine position, boom pivot and cab position make for better visibility. While cab-mounted controls, a wrap-around dashboard and easy-to-read gauges let you know exactly what

you are doing and where you need to be. Designed with the operator in mind, the spacious cab with suspension seat allows the operator to work in comfort. Optional air conditioning is available on all models.

MORE POWER FOR MORE PERFORMANCE

JLG engines and powershift transmissions deliver the horsepower, speed and control you need for optimal performance.

All Powershift models benefit from our industry leading, load-sensing, variable displacement piston pump which, with its max. 150 l/min output, allows you to improve lifting performance, cut fuel consumption and reduce cycle times.



Pick, carry and place.



Cabin Controls

All controls are easy to read and properly placed.



Single Joystick

The joystick operates boom, attachment and travel functions.



Optimal Performance

Class leading traction enables smoother traversing across rough terrain without loss of power.



Heavy Duty

Heavy duty durable axles and permanent 4-wheel-drive with limited slip differential in the front axles.

TEST-DRIVEN JOB SITE PROVEN

Our commitment to engineering and testing means that our telehandlers provide you with high performance when you need it most. Our test facility is designed to provide realistic work situations. Advanced reach and load placement technologies are tested and refined to improve capacity, boom speed and accuracy.

Steering and drive performance are tested on the purposely designed steering course. Durability and extended driving are tested using our roller bench as well as in the field. Our engineers and technicians conduct these tests, and more, so they understand what you are experiencing on the job site.



ALL ACCESS FOR ALL TERRAIN

JLG PS Series telehandlers are designed to take on almost any kind of job. A high ground clearance, with a low center of gravity and 4-wheel drive is a particular advantage traversing rough terrain. Standard frame leveling on the models equipped with stabilisers adds to your level of efficiency, especially when loading on slopes and uneven terrain. An intelligent boom design with boom ride and float feature, provides comfort for the operator during operation.

CHOOSE YOUR STEERING MODE



Front wheel steer when driving on the road.



All-wheel steer to help reduce the turning radius in confined areas.



Crab steer for sideways movement and precise positioning before lifting.



TURN CORNERS

A tight turning radius helps you get around on crowded job sites.



10°

FRAME LEVELLING

The front axle of the 4014PS and 4017PS keeps you straight on slopes up to 10 degrees.

REAL DEPENDABILITY

The solid overall design of JLG PS Series telehandlers creates a dependable machine, with enough power to handle everyday load and carry activities. Greater stability results in greater operator confidence. No matter what the task or application, JLG PS Series telehandlers can help reach greater heights and performance.

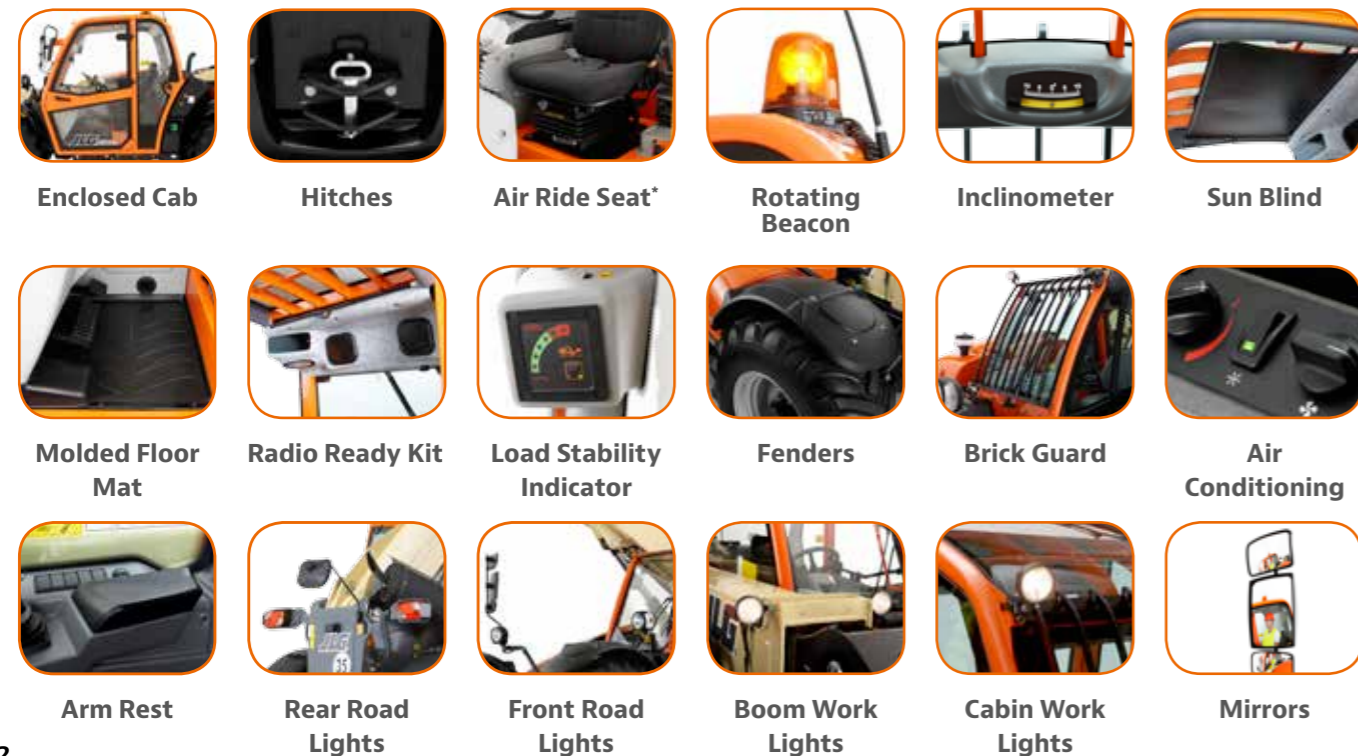


Increase your productivity with lift heights from 6m to 17m.



VERSATILITY YOU CAN COUNT ON

Our full range of options and accessories extends the versatility and performance of your telehandler. Choose from a wide range of attachments, such as buckets, carriages and smart platforms, so you can handle an even wider variety of jobs faster and with greater ease.



Light Material Bucket
Clean up the job site, spread gravel or for loading and leveling.



Manure Bucket
Features a hydraulic grapple arm to assist in job site cleanup.



4-In-One bucket
Carry out multiple activities with the 4-in-one (cylinder operated) bucket.



Digging Bucket
Dig, scoop and carry debris like gravel or dirt, also used for job site clean up.



Smart Basket
Extend the capabilities of your telehandler and get more work done by lifting material and persons to working heights.



Truss Boom
Allows operator to set trusses and wall sections for wood and steel building construction. Available with or without winch.



Standard Carriage
Forks that are fully floating and adjustable side-to-side for efficient load entry and exit.



Fork Positioning Carriage
Provides the ability to adjust the position of each fork independently, allowing the operator to handle a variety of palletized loads without having to leave the cab.



Side-Shift Carriage
10 cm left and right carriage shift allows for more precise load placement.



2m Pallet Forks
Ideal for large, flat materials, limiting damage during transport such as drywall or steel plates.



Fork Mounted Lifting Hook
Add versatility to any standard carriage by lifting and lowering objects without changing attachments.



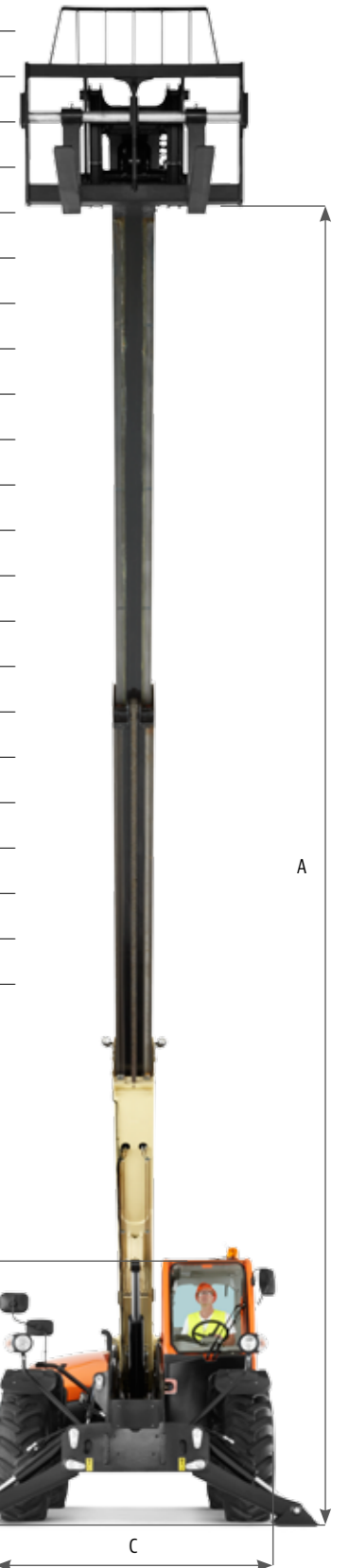
Concrete Ladle
Increase efficiency that is required to get concrete materials to elevated sites.

*Not all options and attachments may be available for all models. Photographs are representative of attachments and options. JLG reserves the right to make modifications without prior notification.



	3706PS	3707PS	4014PS	4017PS
A. Maximum Lift Height	6.1 m	7.3 m	13.7 m (14.0 m*)	15.2 m (17.3 m*)
B. Length (Less Forks)	4.62 m	5.15 m	6.33 m	6.67 m
C. Width	2.38 m	2.38 m	2.45 m (3.07 m*)	2.44 m (3.07 m*)
D. Height	2.41 m	2.48 m	2.59 m	2.80 m
E. Wheelbase	2.97 m	3.05 m	3.20 m	3.20 m
F. Ground Clearance	430 mm	430 mm	458 mm	470 mm
Rated Capacity @ 1600RPM	420nM	420nM	420nM	420nM
Rated Capacity	3,700 kg	3,700 kg	4,000 kg	4,000 kg
Capacity @ Maximum Lift Height	2,500 kg	2,000 kg	1,750 kg	1,000 kg
Maximum Forward Reach	3.11 m	3.80 m	9.23 m	12.70 m
Capacity @ Maximum Reach	1,500 kg	1,500 kg	1,150 kg*	500 kg*
Approximate Operating Weight	8,200 kg	8,600 kg	10,075 kg	12,310 kg
Outside Turning Radius	3,70 m	3,75 m	3,81 m	3,92 m
Drive	4 x 4	4 x 4	4 x 4	4 x 4
Engine	Deutz TCD 3.6 L4	Deutz TCD 3.6 L4	Deutz TCD 3.6 L4	Deutz TCD 3.6 L4
Engine Gross Power	74.4 kW / 100 hp	74.4 kW / 100 hp	74.4 kW/100 hp	74.4 kW/100 hp
Transmission	Powershift	Powershift	Powershift	Powershift
Steering	Two wheel / Four Wheel / Crab Steer with Rear Wheel assisted alignment			
Tires	Mitas 5.5/80-24 16ply	Mitas 5.5/80-24 16ply	Mitas 5.5/80-24 16PR	Mitas 14.00-24 TG02
Maximum Travel Speed	32 km/h	32 km/h	32 km/h	32 km/h
Frame Tilt Left/Right	n/a	n/a	10 degrees	10 degrees

*With stabilisers down to achieve stated capacity.



PUTTING YOUR WORK ABOVE EVERYTHING

When it comes to JLG® Ground Support, it's all about you. Your productivity. Your profitability. Your uptime. From the purchase of your first piece of equipment straight through to the training, parts and maintenance that follows.



FINANCIAL SOLUTIONS

Maximising your profits. Preserving your cash flow. Let our financing specialists help choose the program designed specifically for your needs.

TRAINING

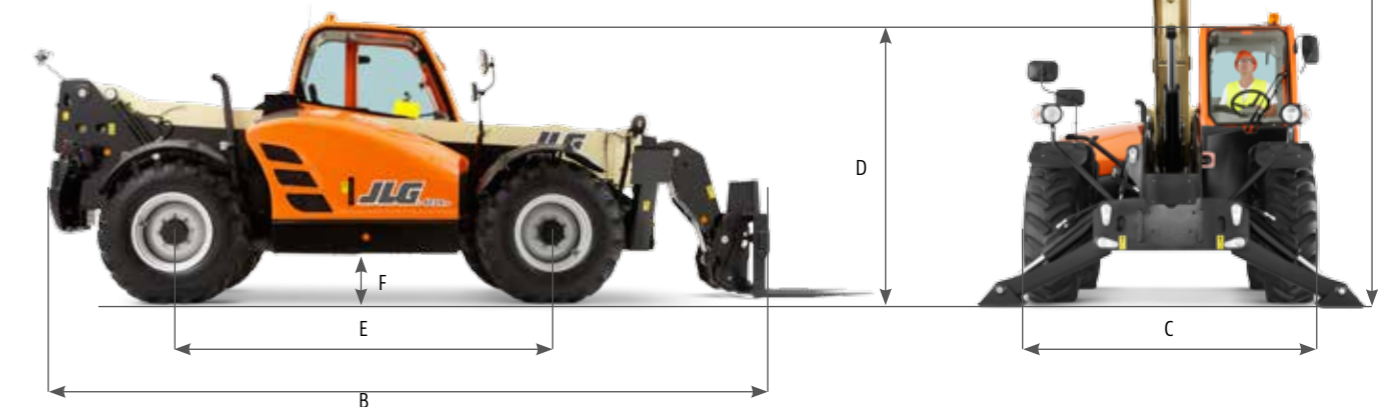
Knowing your equipment inside and out results in higher productivity on the job. Our instructor-led courses give you the hands-on time you need for success.

AFTERMARKET PARTS

Keep your equipment running at peak performance with genuine replacement parts, accessories, attachments and competitive parts all from one source - JLG.

SERVICE CENTERS

Your needs. Your uptime. JLG is on the job to fulfill your every need, from repair, same-day parts and much more. We're here to support you.



Due to continuous product improvements, JLG Industries reserves the right to make specification and/or equipment changes without prior notification.

Deutschland

Tel: +49 (0) 421 693 5000
JLG Deutschland GmbH
Max-Planck-Straße 21
D-27721 Ritterhude/Ihlpohl (Bei Bremen)

España

Tel: +34 93 772 47 00
JLG Ibérica, SL
Trapadella, 2
Pol. Ind. Castellbisbal Sur
08755 Castellbisbal (Barcelona)

France

Tel: +33 (0) 553 88 31 70
JLG France SAS
ZI Guillaume mon Amy
CS 30204 Fauillet
F-47400 Tonneins

JLG EMEA BV

Tel: +31 (0) 23 565 5665
Polaris Avenue 63
2132 JH Hoofddorp
The Netherlands

Italia

Tel: +39 02 9359 5210
JLG Industries (Italia) s.r.l.
Via Po.22
20010 Pregnana Milanese -MI-

Russia

Tel: +7 (495) 967 79 14
JLG Industries Inc.
Vashutinskoe shosse 24b
Khimki, Moscow Region 141400
Russian Federation

JLG Manufacturing Europe bvba

Tel: +32 (0) 89 77 49 74
Oude Bunders 1034
Breitwaterstraat 12a
B-3630 Maasmechelen Belgium

Sverige

Tel: +46 (0) 8 506 59500
JLG Sverige AB
Enköpingsvägen 150
Box 704, SE-176 77 Järfälla

United Kingdom

Tel: +44 (0) 161 654 1000
JLG Industries (United Kingdom) Limited
Bentley House, Bentley Avenue
Middleton, Greater Manchester
M24 2GP

Romania Manufacturing Central Europe SRL

Tel: +40 (0) 269 803 974
A. Vlaicu nr. 41
551041 Medias

JLG Industries, Inc. is a leading designer and manufacturer of access equipment and complementary services and attachments.

JLG has manufacturing facilities in the United States, France, Romania, China and Belgium. Customers throughout Europe, Africa and the Middle East benefit from a network of dedicated sales and service operations designed to deliver the highest levels of support.

www.jlg.com JLG is an Oshkosh Corporation company.

Form No.: JLG-BRO-PS-SERIES-TELEHANDLERS-PS-ENG-0215 Part No.: 14060208

