



HYDRAULIC ROUGH TERRAIN PALLET TRUCK - TH-1500



**PLEASE KEEP THIS MANUAL IN A SAFE PLACE FOR FUTURE
REFERENCE**

INDEX

Nº.	SUBJECT	PAGE
1	Delivery letter	1
2	Delivery notes.....	2
3	Machine description	2
4	Technical characteristics.....	3
5	How it works	4
6	Warranty	5
7	List of spare parts	1-3

1. DELIVERY LETTER

Dear Pallet Truck TH 1500 User,

This machine has been manufactured taking into consideration the possible use for the operator and especially his or her comfort. It presents no danger, neither on its own or when working, as long as these safety guidelines are followed and that the different safety devices are in a correct working order.

This letter serves as a confirmation that the instruction manual has been delivered with the machine, and it remains your responsibility to ensure that those in charge of handling the Pallet Truck follow these instructions.

All the information contained in this manual is private and cannot be reproduced or passed on to third parties, neither totally or partially without the prior authorization of ALBA MACREL GROUP S.L.

Futhermore, ALBA MACREL GROUP S.L. reserves the right to change without prior notice anything that it considers necessary.

Finally, ALBA MACREL GROUP S.L.takes no responsibility for any damage or injuries to people or things, due to the improper use of the machine or through obvious negligence in complying with these instructions.

ALBA MACREL GROUP S.L. hopes that the performance of this machine gives you complete satisfaction.

ALBA MACREL GROUP S.L.

2. DELIVERY NOTES

Once the machine is delivered you should check that:

- 1 - The order complies exactly with what is delivered.
- 2 - That the machine is in a perfect condition, without any faulty parts.

If any anomaly is found in any of these two points, you should contact ALBA MACREL GROUP S.L. or your area representative immediately.

3. MACHINE DESCRIPTION

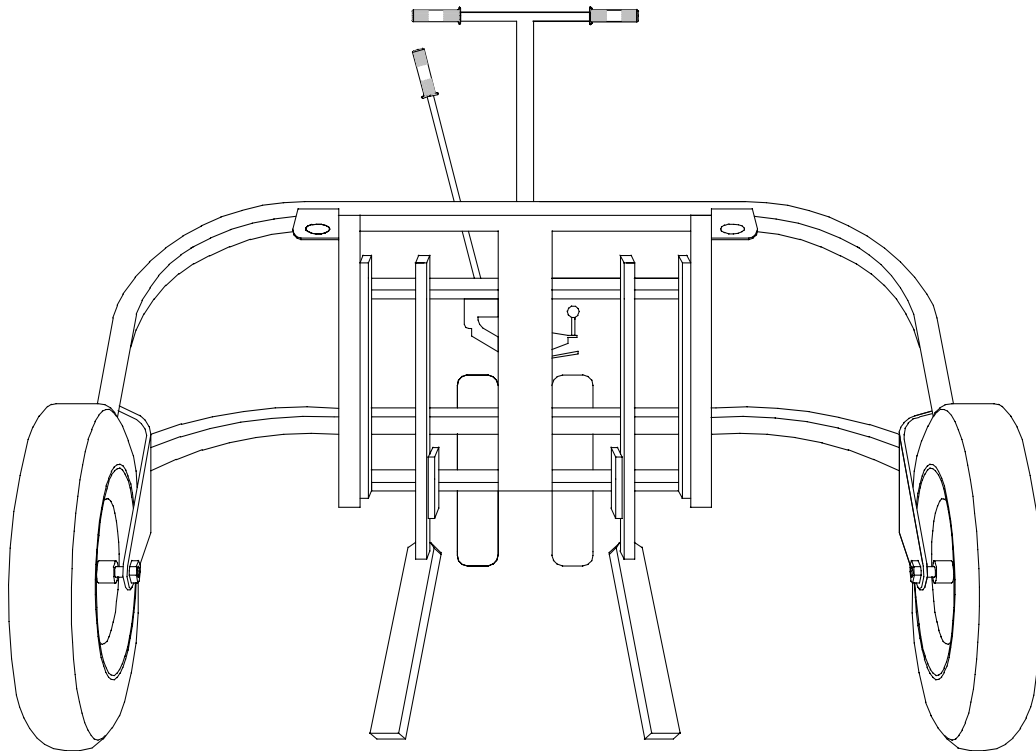
The Hydraulic Rough Terrain Pallet Truck - TH 1500 is a machine which is used for moving Pallets in plants and construction sites.

Its advantages include:

- Greater manoeuvrability.
 - Easy handling.
 - Robust metal frame.
 - Maintenance free.
 - Easy to pull and elevate
 - Designed for the transport of loads on rough ground.
 - Guiding axis on self lubricated bearings.
 - Wheels fitted in water tight bearings.
 - Adjustable fork width (from 190 to 590 mm). Adaptable to all pallet models.
 - Hydraulic elevator with built in pump.
 - Total turning without rotating radius.
 - Steering with wheel lugs.
-

4. TECHNICAL CHARACTERISTICS

MODEL		TH 1500-93/111	TH 1500-1	TH 1500-1.2	TH 1500-1.3	TH 1 1500-1.4
Load capacity	Kg.	1500	1500	1500	1500	1500
Maximum Load Height	mm	200	200	200	200	200
Maximum Pallet Width	mm	963	1063	1263	1313	1463
Exterior dimensions	Width	1665	1415	1615	1665	1815
	Length	1400	1400	1400	1400	1400
	Height	800	800	800	800	800
Approx. Weight.	Kg.	170	170	170	170	170



Tyre pressure	Large 3.5 Kg/cm ² .
	Small 2 Kg/cm ² .

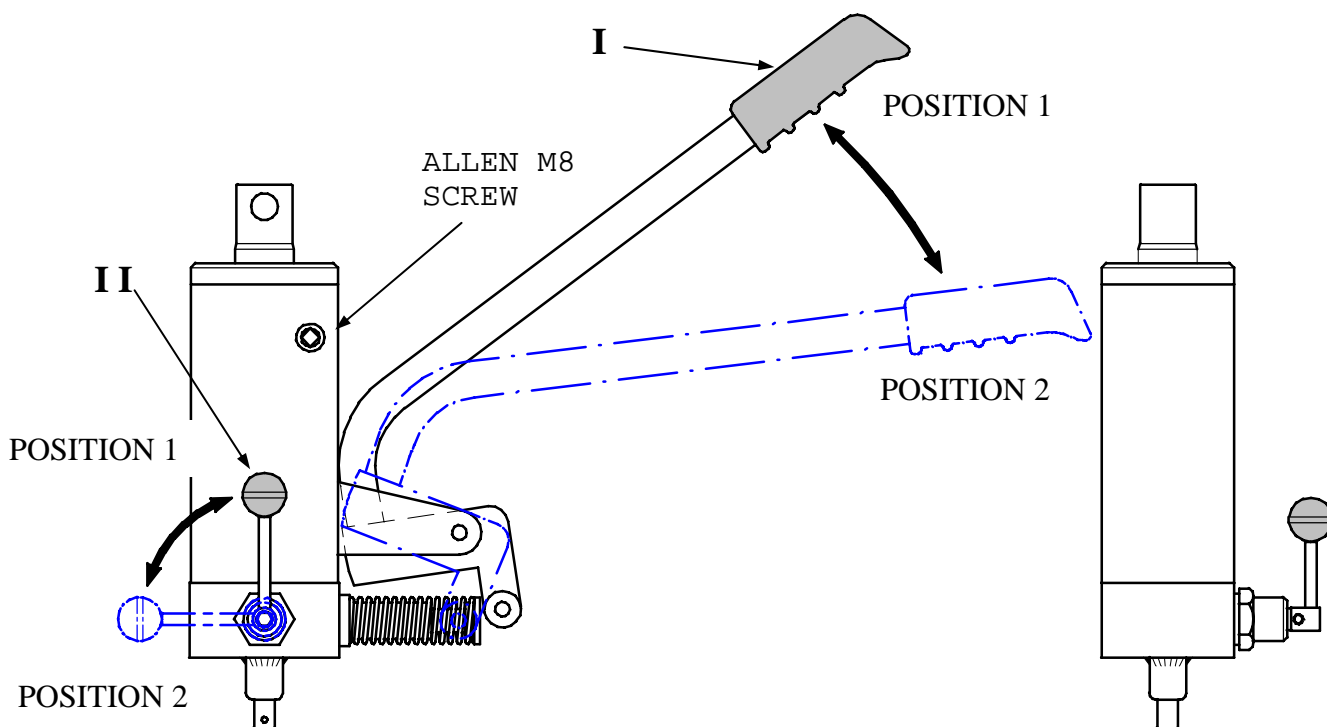
Hydraulic Oil Volume	Blue/black cylinder..... 0,5 L.
	Grey cylinder 0,3 L.
Types of Oil	SAE 10 Hidra
	SHEEL Tellus oil 37
	HOUGHTON HD 22,5

5. HOW IT WORKS

To raise the load you simply need to move the elevating lever **I** from position **1** to position **2** and the back again until the required height is reached (maximum height 200 mm).

We must remember that lever **I** should be in position **1** for it to work correctly.

To lower the load move the lever **I** situated on the hydraulic cylinder anti-clockwise, to obtain a smooth and gradual lowering.



If the oil cylinder needs to be topped up, the following steps should be followed:

1. Lower the forks of the Pallet Truck by turning the lever **I** anti-clockwise.
 2. Loosen the Allen M8 screw situated on the cylinder and top up the oil through the hole until it overflows.
-

6. WARRANTY

- 1.- Our machines are guaranteed for 6 months (with 8 hour working days) against any manufacturing material fault. All the parts, which will be sent free of freight, accepted as faulty by our Technical Service Department will be replaced free of charge at the Factory.
 - 2.- If the machine is sent to the Factory to be checked, after working on the machine for some time, the transport costs there and return will be paid by the buyer.
 - 3.- When the repair, checking or changing of parts is carried out at the Buyer, the corresponding costs (transport and work of assemblers, Electricians, etc.) will be paid by the Buyer.
 - 4.- This warranty does not include the breakdowns caused by natural wear, inexperience of handling, over-loading, poor installations or inappropriate storage of the machine.
 - 5.- All the parts or materials that are not manufactured by us, bearings, engines, electrical or pneumatic material, etc. have a warranty which is limited to that offered by our suppliers.
 - 6.- The warranty will cease from the moment the machine is subject to repair or intervention by a third party without our prior authorization, or if the agreed conditions of payment are not met.
 - 7.- The Factory will not be obliged under any circumstance to pay compensation for damages and prejudices.
-

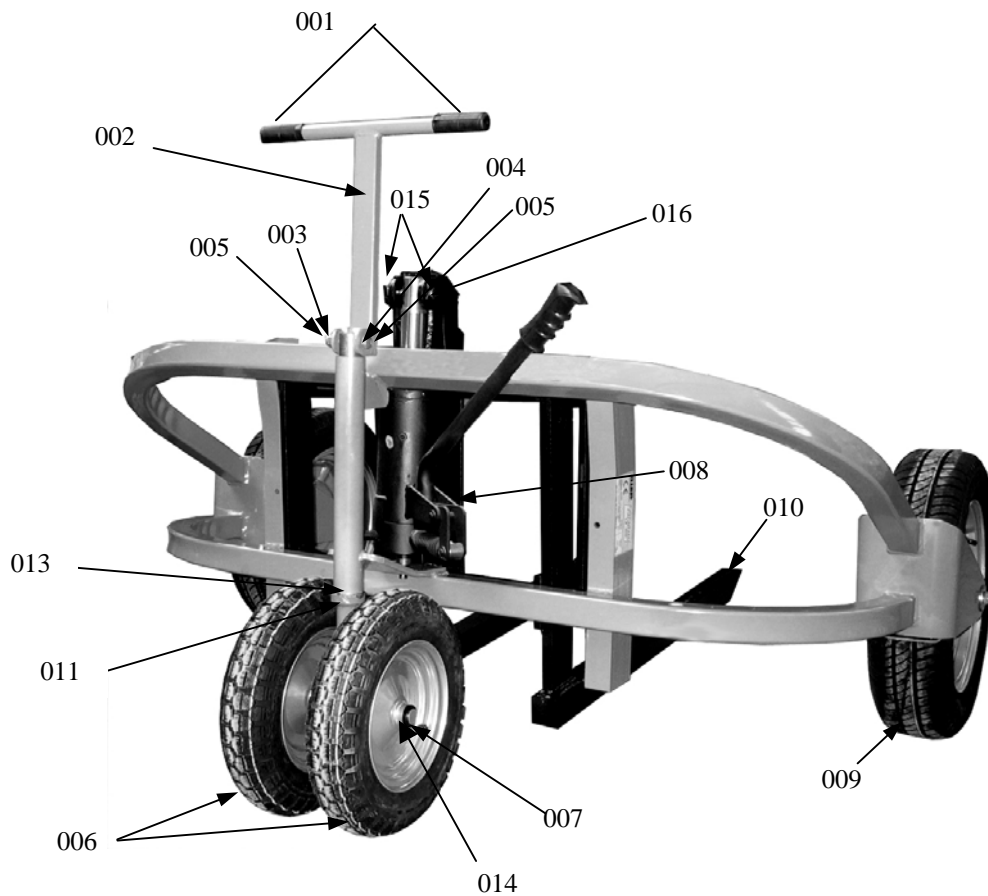


LIST OF SPARE PARTS

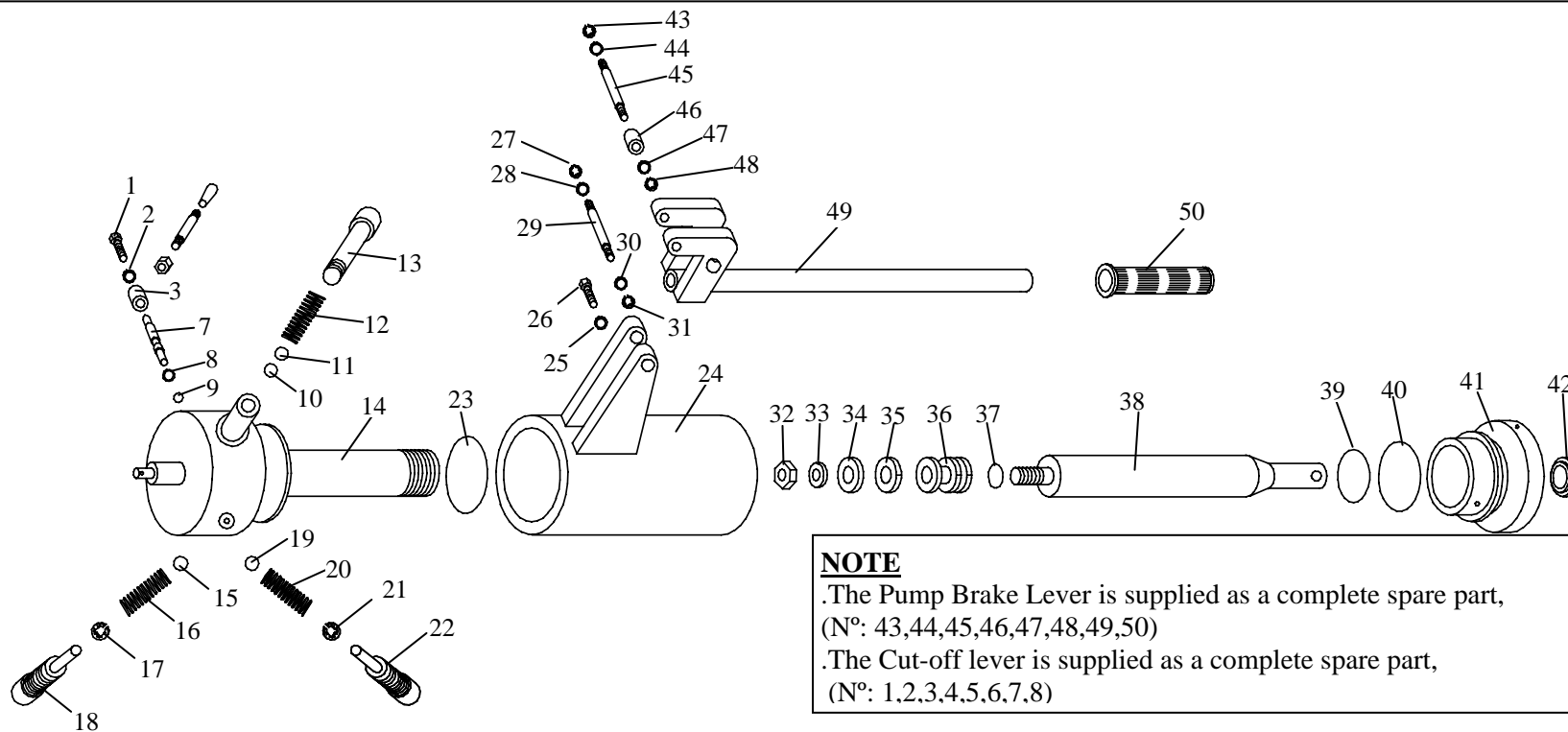
TH-1500

ALBA

1



N°	REFERENCE	NAME	QUANTITY
001	DPU3504.22	Grip Ref. 3504.22 REINER	2
002	087.1038/2	Handle set	1
003	D0985M12	M 12 Safety nut	1
004	D093112065	M 12 bolt x 65 DIN 931 8.8	1
005	D0127-08	Elastic washer. A8 DIN 127 BIC.	2
006	087.1411	Set of small wheels	2
007	D04710252	Elastic ring 25 x 2 D471 h2	2
008	087.1420	Black hydraulic cylinder	1
009	DCUB520.12	5,20 12'' Pneumatic Tyres	2
010	087.1017/3	Bracket set	1
011	087.1410	Small wheel cross-axle	1
012	D148104020	Elastic pin 4 x 20 DIN 1481	1
013	DPAP3520	Curved cap PAP 3520 P 10	1
014	DPAP2515	Curved cap PAP 2515 P 10	4
015	D009403030	Flanged pin 3 x 30 DIN 94	2
016	0871018	Cylinder support axis/shaft	1



NOTE

.The Pump Brake Lever is supplied as a complete spare part, (N°: 43,44,45,46,47,48,49,50)
 .The Cut-off lever is supplied as a complete spare part, (N°: 1,2,3,4,5,6,7,8)

1	M-6 x 10 screw	26	M 8 x 10 screw
2	6 x 18 x 1.5 washer	27,31,43,48	Elastic fastener
3	30 x 15 x 1.5 grooved ring	28,30,44,47	10 x 16 washer
4	M 6 nut	29	10 x 56 mm diameter pin.
5	M 6 x 62 threaded rod	32	M 16 x 1.5 nut
6	Polished bakelite ball	33	M 16 Grober washer
7	Cut-off lever barrel	34	40 x 50 x 7.3 flange
8	9 x 3 O-ring	35	44 x 50 x 9.3 Piston guide
9	8 mm diameter steel ball	36	Piston
10,11	15.88 x 2.62 O-ring	37	11,1 x 1.8 O-ring
12	Ball recuperating spring	38	Shank
13	Pump piston	39	39.74x 3.59 O-ring
14	Valve head body and pressure pipe	40	87 x 3 O-ring
15,19	6 mm diameter steel ball.	41	Shank guide head
16,20	Ball spring	42	40 -50-7/10 oil wiper ring
17	10 x 14 mm. Al seal	45	10 x 47 diameter pin
18,22	M 10 screw with spring guide	46	25 x 25 Chrome roller
23	87 x 3 O-ring	49	Pump brake lever
24	Oil tank	50	Lever grip
25	8 x 12 washer		



**HYDRAULIC
CYLINDER**
TH-1500

